

E130 FOCUS AL

Leading-Edge Technology for Advanced Residential Metering Applications

The FOCUS® family of metering products provides the utility industry with an advanced, reliable and economical solid-state meter platform for advanced metering applications. The FOCUS AL was designed to be a low cost, active energy kWh-only meter. Utilizing a single circuit board design, the FOCUS AL allows room for installation of a modular communications board or a KYZ option output board. Fewer parts and connectors through the design increase reliability and contribute to better overall endpoint performance. Highly accurate load performance and the use of field-proven Digital Multiplication Measurement Technique ensure reliability and dependability during the entire life of the meter. The FOCUS AL technology includes measurement circuit, microprocessor, non-volatile memory, selectable metrics, flexible display functionality, factory programming option and is designed for a 20+ year life.

Meter reconfiguration can be accomplished optically through the configuration port located on the front cover.

- Select from displayable positive, negative, net and added (security) metrics
- Change the displayed information, order or digits
- Configure a CT/PT meter multiplier to obtain a direct reading
- Preset or reset kWh
- Adjust calibration



Key Benefits

- Digital Multiplication Measurement Technique
- Non-volatile memory
- Designed for a 20+ year life
- Meets or exceeds industry and ANSI standards
- Uses ANSI protocol (between meter and AMR device)
- 6 digit LCD and 2 Alpha ID
- Selectable meter multiplier up to 240 (1200:5 CT)

Specifications

General Specifications	Active Energy “kWh-only” meter
	Digital Multiplication Measurement Technique
	Non-Volatile Memory
	Designed for 20+ years life
	Meets ANSI standards for performance
	Utilizes ANSI protocol (between meter and AMI device)
	8-Digit LCD
	Display scroll sequence programmable (factory or end user)
	Configuration Port – cover does not have to be removed
Operating Temperature	-40C to +85C under cover
Operating Voltage	80% to 115% of Vn
Frequency	60Hz +/- 5%
Humidity	5% to 95% relative humidity, non condensing
Voltage Burden	≤ 1.8W Max
Load Performance Accuracy	Accuracy Class 0.5% – typical accuracy 0.2%
Display Options	Energy Metrics: +kWh, -kWh, Net kWh, and added kWh (Security)
	Metric Energy Display Format – 4x1, 4x10, 5x1, 5x10, 6x1 or 6x10
AMI Platform	Modular or Integrated
Selectable Meter Multiplier	Up to 240 as result of PT ratio • CT ratio
Applicable Standards	ANSI C12.1 for electric meters
	ANSI C12.10 for physical aspects of watt hour meters
	ANSI C12.19 Utility Industry End Device Data Tables
	ANSI C12.20 for electricity meters, 0.2 and 0.5 accuracy classes
	CAN3-C17-M84 Canadian specifications for approval of type of electricity meters
Landis+Gyr Communication	2 Way Gridstream RF
	2 Way Gridstream PLC
	1 Way PLC
	1 Way Fixed network RF
	1 Way Airpoint RF Drive-By
Third Party Communication	Aclara STAR Network – RF
	Aclara TWACS Technology – PLC
	Trilliant 2 Way SecureMesh

The kWh FOCUS meter is available in the following forms:

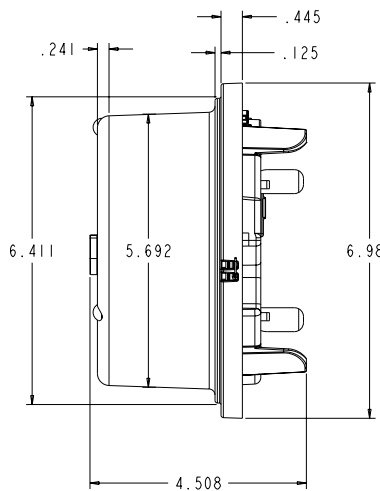
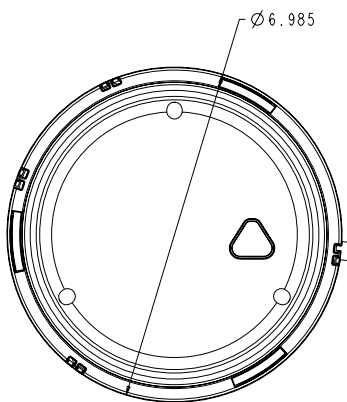
Form	Nominal Voltage	Current Class	Test Amps	Starting Load	Kh
1S	120V	CL 100	15.0	0.030 Amp (3.6W)	1.8
2S	240V	CL 200	30.0 / 50.0	0.050 Amp (12W)	7.2
2SE	240V	CL 320	30.0 / 50.0	0.080 Amp (19.2W)	12.0
2K	240V	CL 480	30.0 / 50.0	0.120 Amp (28.8W)	14.4
3S	120V	CL 10/20	2.5	0.005 Amp (0.6W)	0.3
3S	240V	CL 10/20	2.5	0.005 Amp (0.6W)	0.6
4S	240V	CL 10/20	2.5	0.005 Amp (0.6W)	0.6
25S	120V	CL 200	30.0	0.050 Amp (12W)	14.4
12S	120V	CL 200	30/50	0.050 Amp (12W)	14.4

Form	Net Lbs.	Single Pack Weight	Single Pack Dimensions	Four Pack Weight	Four Pack Dimensions	Pallet Weight	Pallet Dimensions
1S	2	3 lbs.	8 3/4" x 8 3/4" x 7"	9 lbs.	15 1/2" x 7" x 15 1/2"	190 lbs.	31" x 46" x 31"
2S	2	3 lbs.	8 3/4" x 8 3/4" x 7"	10 lbs.	15 1/2" x 7" x 15 1/2"	190 lbs.	31" x 46" x 31"
2SE	2	3 lbs.	8 3/4" x 8 3/4" x 7"	10 lbs.	15 1/2" x 7" x 15 1/2"	190 lbs.	31" x 46" x 31"
3S	2	3 lbs.	8 3/4" x 8 3/4" x 7"	9 lbs.	15 1/2" x 7" x 15 1/2"	190 lbs.	31" x 46" x 31"
4S	2	3 lbs.	8 3/4" x 8 3/4" x 7"	10 lbs.	15 1/2" x 7" x 15 1/2"	190 lbs.	31" x 46" x 31"
12S	2	3 lbs.	8 3/4" x 8 3/4" x 7"	10 lbs.	15 1/2" x 7" x 15 1/2"	190 lbs.	31" x 46" x 31"
25S	2	3 lbs.	8 3/4" x 8 3/4" x 7"	10 lbs.	15 1/2" x 7" x 15 1/2"	190 lbs.	31" x 46" x 31"
2K	4 1/2	6 lbs.	12 1/2" x 12 1/2" x 9"	N/A	N/A	195 lbs.*	31" x 46" x 43"

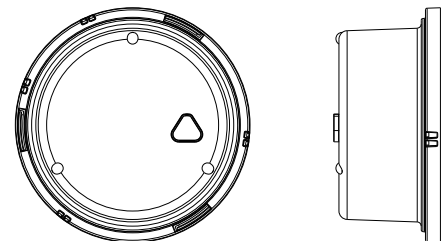
Standard pallet size of 96 meters

* Denotes alternate pallet size of 30 meters

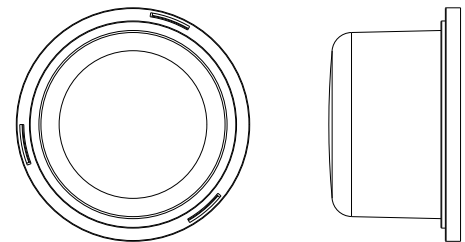
FOCUS AL S-Base



Cover Options

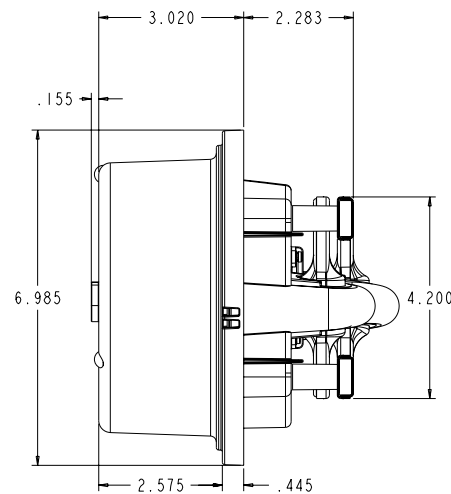
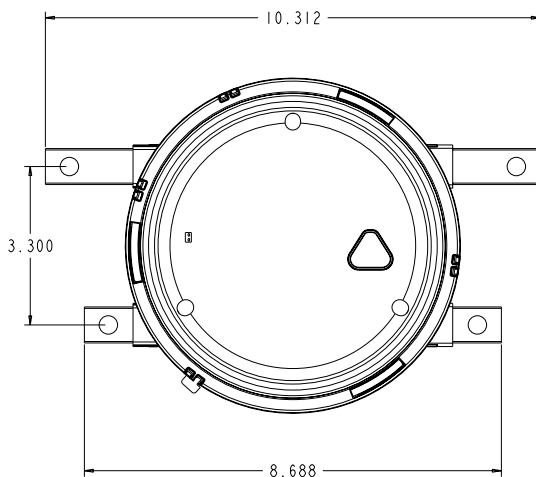


FOCUS AL Short Cover



FOCUS AL Tall Cover

FOCUS AL K-Base





With focus on customer satisfaction, we are committed to providing the best metering solution in terms of capability, technology and affordability. By utilizing our experience and technology with that of our strategic allies and development partners, we provide metering solutions that cover the range of utilities' residential metering needs.

Landis+Gyr
manage energy better

2800 Duncan Road
Lafayette, IN 47904 U.S.A
Phone: **765.742.1001**
Tech Support: **800.777.2774**
FAX: **765.429.0936**
www.landisgyr.com